

SINGLE PHASE FREQUENCYMETER

VK-F72, VK-F96

VTEKE[®]
www.vteke.com.tr

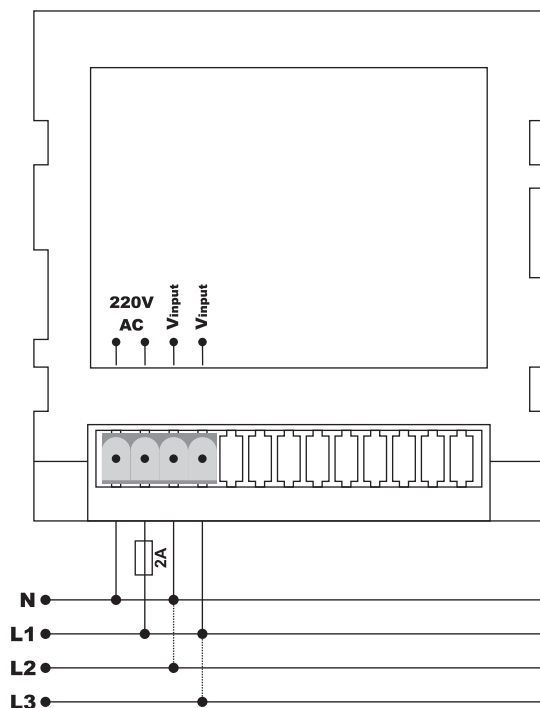
TECHNICAL SPECIFICATIONS

PARAMETER	VALUE
Operating Voltage	150-270VAC
Operating Frequency	50 / 60 Hz
Operating Power	<6VA
Operating Temperature	-20°C.....55°C
Frequency Measuring Range	1V – 400Hz
Accuracy	%±1
Weight	<220Gr
Protection Class	IP41[Front Panel], IP20[Body]
Connection Type	Plug-in Terminal Connection
Cable Diameter	1.5mm ²
Mounting	Assembly to panel front cover
Panel Hole	91mm x 91mm (VK-V96) 68mm x 68mm (VK-V72)
Working Altitude	<2000 meter

PHOTO

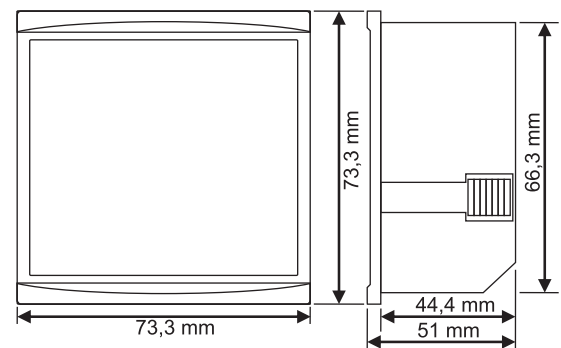


CONNECTION DIAGRAM



DIMENSIONS

VK-F72



VK-F96

