



Read this document carefully before using this device. The guarantee will be expired by device damages if you don't attend to the directions in the user manual. Also we don't accept any compensations for personal injury, material damage or capital disadvantages.

ENDA ESHT-102 Relative Humidity and Temperature Transmitter

Thank you for choosing ENDA ESHT-102 relative humidity and temperature transmitter devices.

- * 0 ... 100.0% RH Humidity Measurement.
- * -40.0 - +60°C Temperature Measurement. (For wall-mounted types).
- * -40.0 - +125°C Temperature Measurement. (For cabled and duct types).
- * Selectable 0-20mA or 0-10V output.
- * Cabled, Wall-mounted or duct type installations.
- * Screw-terminal Connection.
- * CE Marked according to European Norms.

ORDER CODE : **ESHT-102 - CB - 150**

Product Basic Code
Humidity and Temperature Transmitter

| Montage Type | |
|-------------------|----|
| Wall-mounted | - |
| Wall-mounted | W |
| Cabled connection | CB |
| Duct mounted | DC |

| Immersion Length | |
|------------------|--------|
| 50 | 50mm. |
| 150 | 150mm. |
| 250 | 250mm. |
| 350 | 350mm. |

CE **RoHS**
Compliant



TECHNICAL SPECIFICATIONS

| SPECIFICATIONS | ESHT-102 | ESHT-102-W-50 | ESHT-102-CB-x50 | ESHT-102-DC-x50 |
|-------------------|--|---|--|--|
| Montage Type | Wall-mounted | | 1,5m. Cabled. | Duct Mounted |
| Immersion Length | 50mm | | 150/250/350mm (Specify at order). | |
| Weight | 125 gr. | | 315 gr. for 150mm., 365 gr. for 250mm., 430 gr. for 350mm. | 200 gr. for 150mm., 250 gr. for 250mm., 315 gr. for 350mm. |
| Humidity Range | 0 ... 100 % RH (Shouldn't be icing and condensation in the ambient). | | | |
| Temperature Range | -40 ... +60°C (Shouldn't be icing and condensation) | -40 ... +125°C (Shouldn't be icing and condensation) | -40 ... +125°C (Shouldn't be icing and condensation in the ambient) | |
| Accuracy | ±2 % RH (20 ~ 80 % for RH range), ±4 % RH (0 ~ 100 % for RH range), ±0,5°C (for 20 ~ 40°C range), ±1°C (for 0 ~ 60°C range), ±2°C (for -40 ~ 0°C range). | | | |
| Response Time | 63% Humidity variation for 7 seconds (with 1m/sec airflow at 25°C). 63% Temperature variation for 5 seconds (with 1m/sec airflow at 25°C). | | | |
| Supply | 15-35V DC or 10-25V AC | | | |
| Outputs | 0-20mA DC or 0-10V DC selectable on device. (For current output load resistance max. 500Ω). | | | |
| Power Consumption | Max. 7VA | | | |
| Wiring | 1,5mm ² screw-terminal connections | | | |
| EMC | EN 61326-1: 2013 | | | |

ENVIRONMENTAL CONDITIONS

| | |
|-----------------------------|---|
| Ambient/storage temperature | -40 ... +60°C (Shouldn't be icing and condensation in the ambient.) |
| Rated pollution degree | IP65 according to EN 60529 |
| Height | Max. 2000m |



Do not use the device in locations subject to corrosive and flammable gases.

HOUSING

| | |
|--------------------|--|
| Housing type | Wall-mounted. |
| Dimensions | L137xW58xH35mm |
| Weight | Approx. 150g (after packing) |
| Enclosure material | Self extinguishing plastics. (According to EN 60695-11-10 standards V-0) |



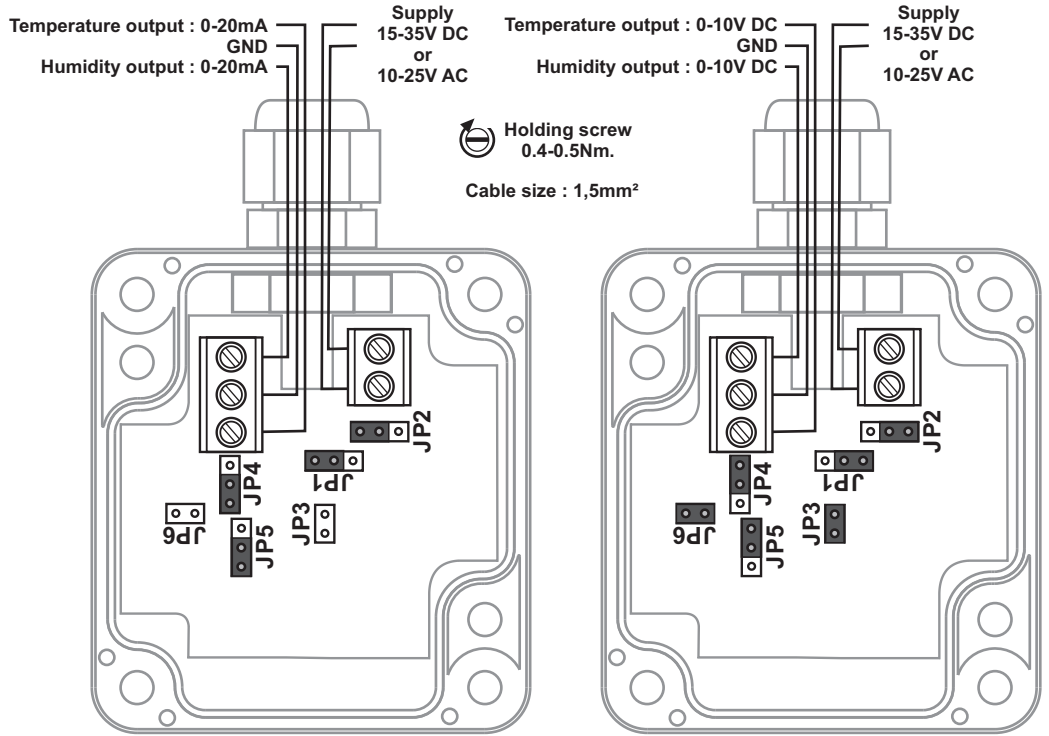
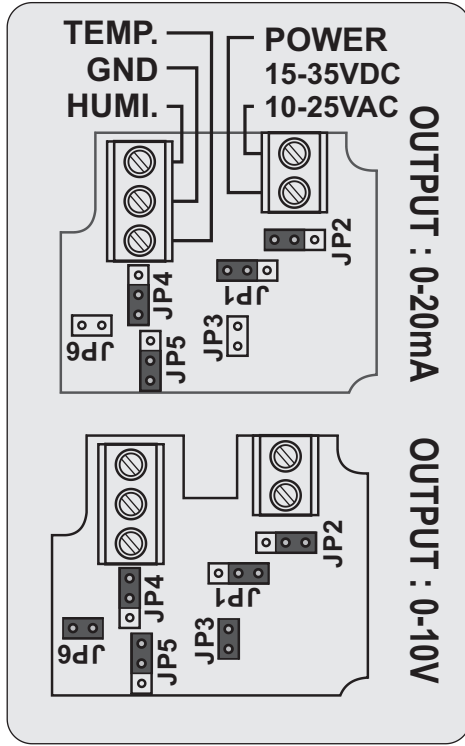
While cleaning the device, solvents (thinner, benzine, acid etc.) or corrosive materials must not be used.



SISEL MÜHENDİSLİK ELEKTRONİK SAN. VE TİC. A.Ş.
Şerifali Mah. Barbaros Cad. No:18 Y.Dudullu 34775
UMIRANIYE/İSTANBUL-TURKEY
Tel : +90 216 499 46 64 Pbx. Fax : +90 216 365 74 01
url : www.enda.com.tr

CONNECTION DIAGRAM

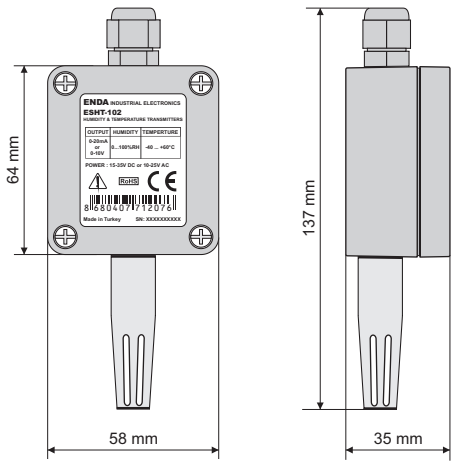
ESHT-102 temperature and humidity outputs of the device can be set to 0-10 V or 0-20 mA. Heat output (JP1, JP2, JP3), humidity output (JP4, JP5, JP6) can be replaced by jumpers.



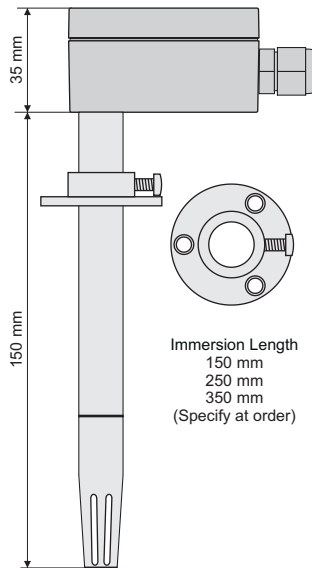
! ENDA ESHT-102 Series humidity and temperature transmitter devices are intended for wall-mounted or duct type installations. Make sure that the device is used only for intended purpose. The electrical connections must be carried out by a qualified staff and must be according to the relevant locally applicable regulations. During an installation, all of the cables that are connected to the device must be free of electrical power. The device must be protected against inadmissible humidity, vibrations, severe soiling. Make sure that the operation temperature is not exceeded. The cables should not be close to the power cables or components.

DIMENSIONS

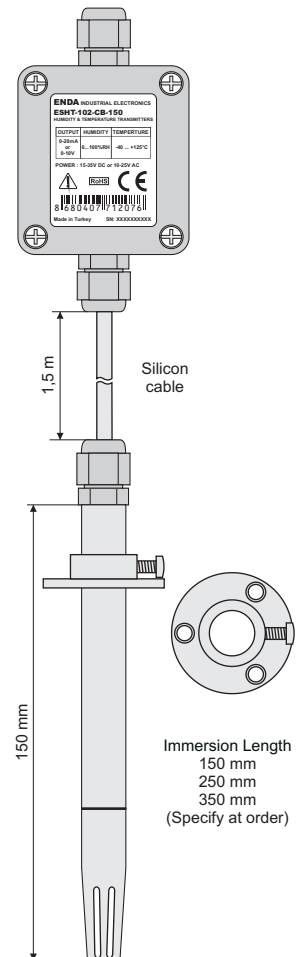
ESHT-102 & ESHT-102-W-50 WALL-MOUNTED



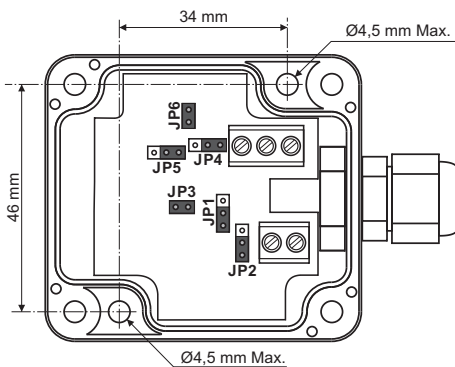
ESHT-102-DC-x50 DUCT TYPE



ESHT-102-CB-x50 CABLED TYPE



INSTALLATION



For best measurement, device must be mounted to where the air flow exist and measurement part must turned to down.