

# TIME FLASHER RELAY

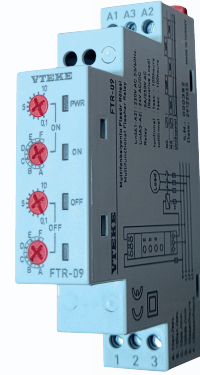
# FTR-09

## VTEKE®

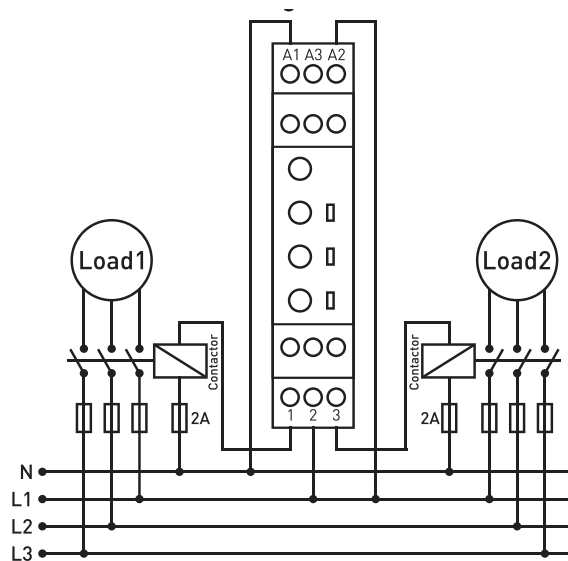
www.vteke.com.tr

### TECHNICAL SPECIFICATIONS

PARAMETER	VALUE
Operating Voltage	160-260VAC OR 24 VAC/DC
Operating Frequency	50 / 60 Hz
Operating Power	<6VA
Operating Temperature	-20°C....55°C
Weight	<110Gr
T(on) Time	0.1 seconds – 100 min
T(off) Time	0.1 seconds – 100 min
Display	3 LEDES
Contact	1NO+1NC; 5A/250VAC
Protection Class	IP20
Connection Type	Terminal Connection
Cable Diameter	Max1.5mm <sup>2</sup>
Mounting	DIN Rail Mounting
Working Altitude	<2000 meter



### CONNECTION DIAGRAM



### DIMENSIONS

